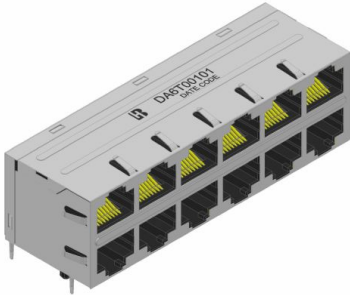


**“LAN-MATE” SERIES Description:**  
**10/100/1000 Base-T RJ45 2x6 Integrated**  
**Magnetics Connector**  
**P/N:DA6T00101**



**Feature**

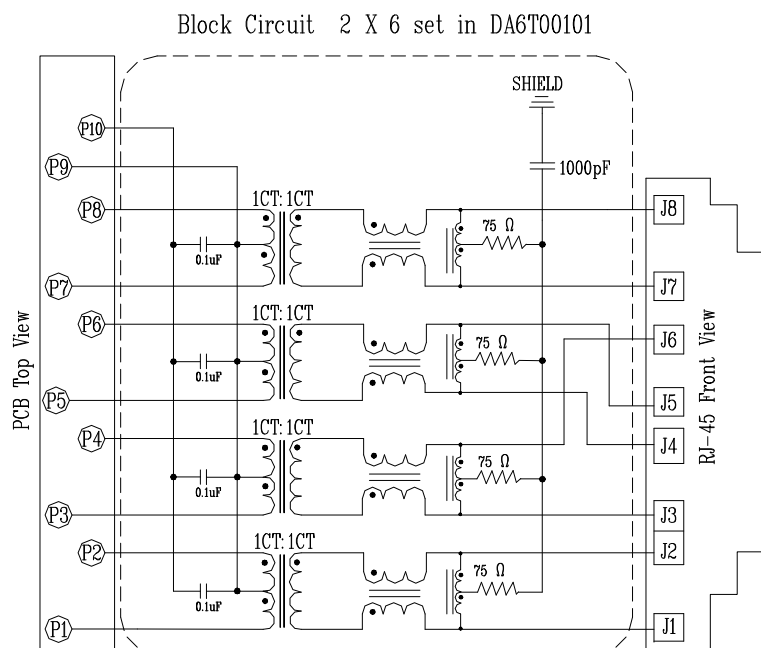


- Complies with requirement of IEEE 802.3ab standards.
- RJ-45 connector integrated with transformer/impedance resistor/high voltage capacitor.
- Size same as RJ-45 connector to save PCB board space.
- Reduced EMI radiation to improve EMI performance.
- Design for 1000 BASE transmission over UTP-5 cable.
- Compliance with ROHS requirements.
- Operating temperature range: 0°C to +70°C.
- Storage temperature range: -25°C to +85°C.

Electrical Specifications @ 25°C								
Part Number	Turns Ratio (±2%)		OCL (uH Min) @ 100KHz/0.1V with 8mA DC Bias	Cross talk (dB Min)				HI-POT
	TX	RX		0.5-10MHz	30MHz	50MHz	100MHz	
DA6T00101	1CT: 1CT	1CT: 1CT	350	-50	-40	-35	-30	DC2250V/1mA

Continue									
Part Number	Insertion Loss (dB Max)	Return Loss (dB Min) @ Load 100Ω					DCMR (dB Min)		
		1-100MHz	1-30MHz	40MHz	50MHz	60-80MHz	100MHz	0.3-30MHz	60MHz
DA6T00101	-1.0	-18	-16	-14.08	-12.5	-10	-50	-45	-40

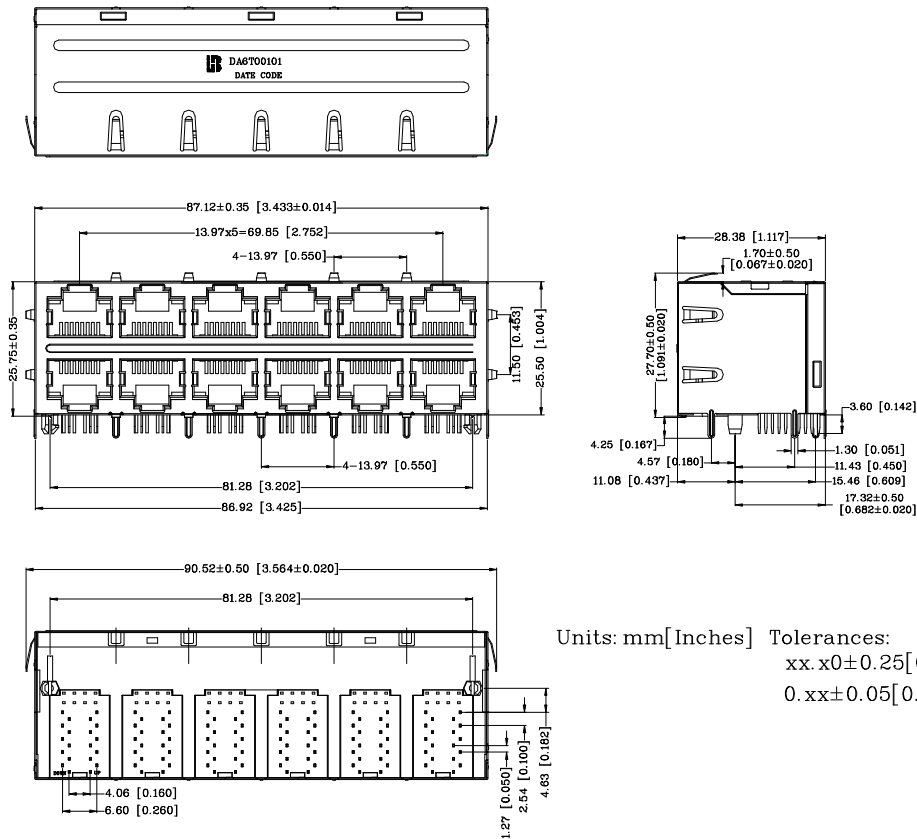
**Schematic**



**“LAN-MATE” SERIES Description:**  
**10/100/1000 Base-T RJ45 2x6 Integrated**  
**Magnetics Connector**  
**P/N:DA6T00101**

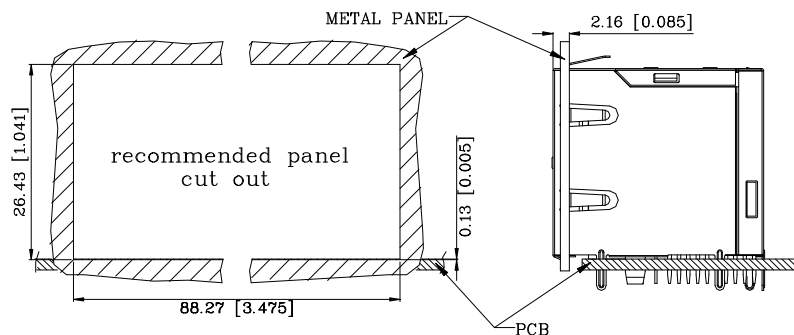


**Mechanical**



- |                     |   |  |
|---------------------|---|--|
| 1. Plastic Material | : | Thermoplastic (UL 94V-0), Black Housing        |
| 2. Metal Shield     | : | Brass, 30u" inches thick Nickel                |
| 3. Spring Wire      | : | Phosphor bronze                                |
| 4. Solder Pin       | : | 0.5x0.35mm, Phosphor bronze with solder Plated |
| 5. Durability       | : | 750 Mating cycles Min.                         |

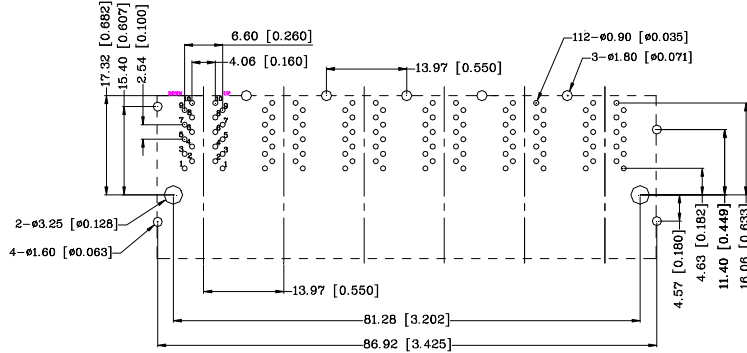
**Suggested Panel Opening**



**“LAN-MATE” SERIES Description:**  
**10/100/1000 Base-T RJ45 2x6 Integrated**  
**Magnetics Connector**  
**P/N:DA6T00101**

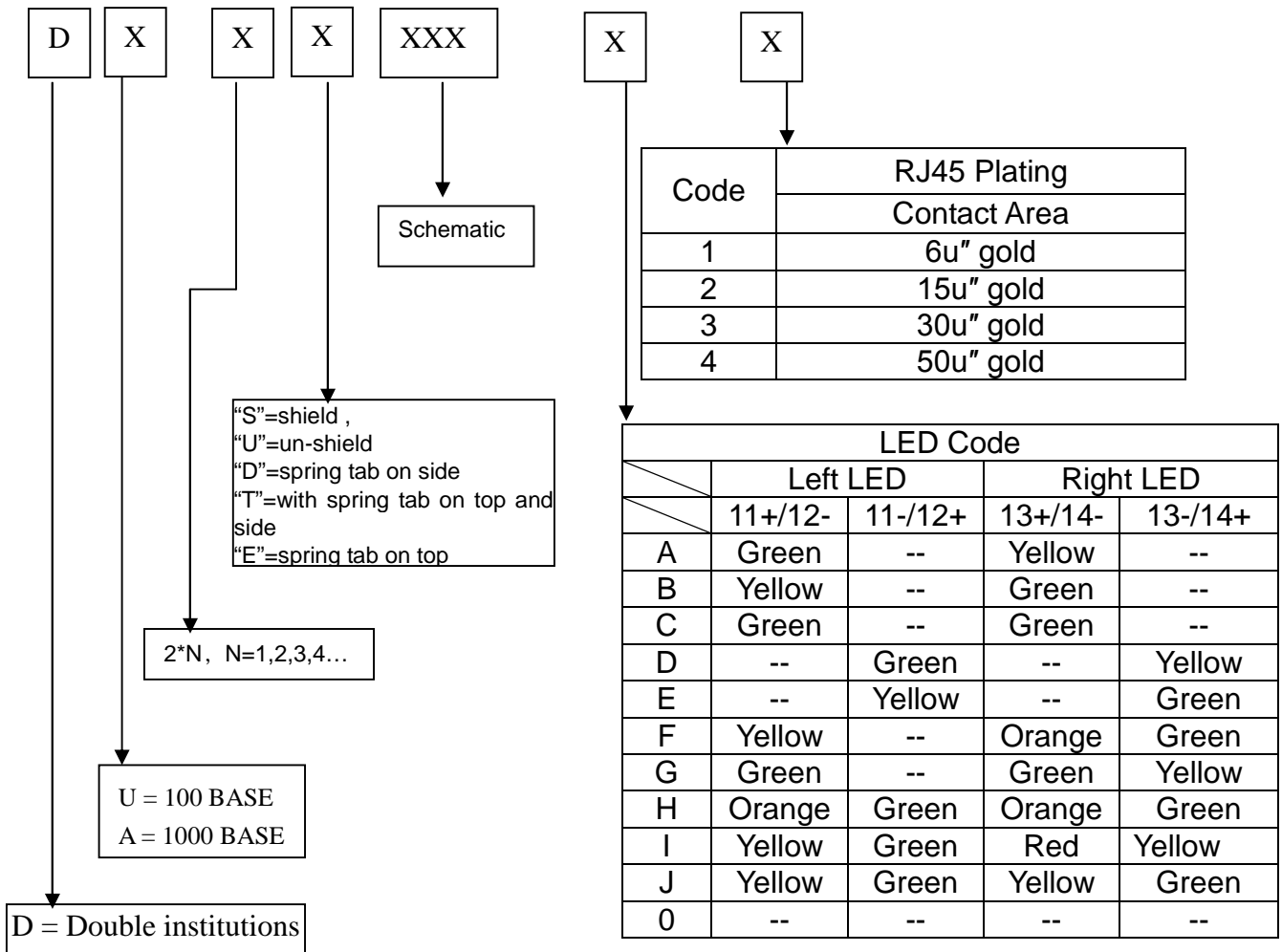


**PCB Layout Mounting Hole(Top View)**



Unless otherwise specified,  
 all dimension tolerance are:  $\pm 0.08[\pm 0.003]$

**Ordering Information**



[www.bothhandusa.com](http://www.bothhandusa.com)